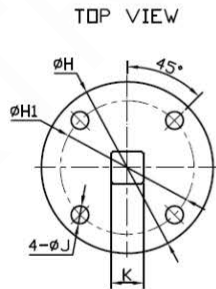
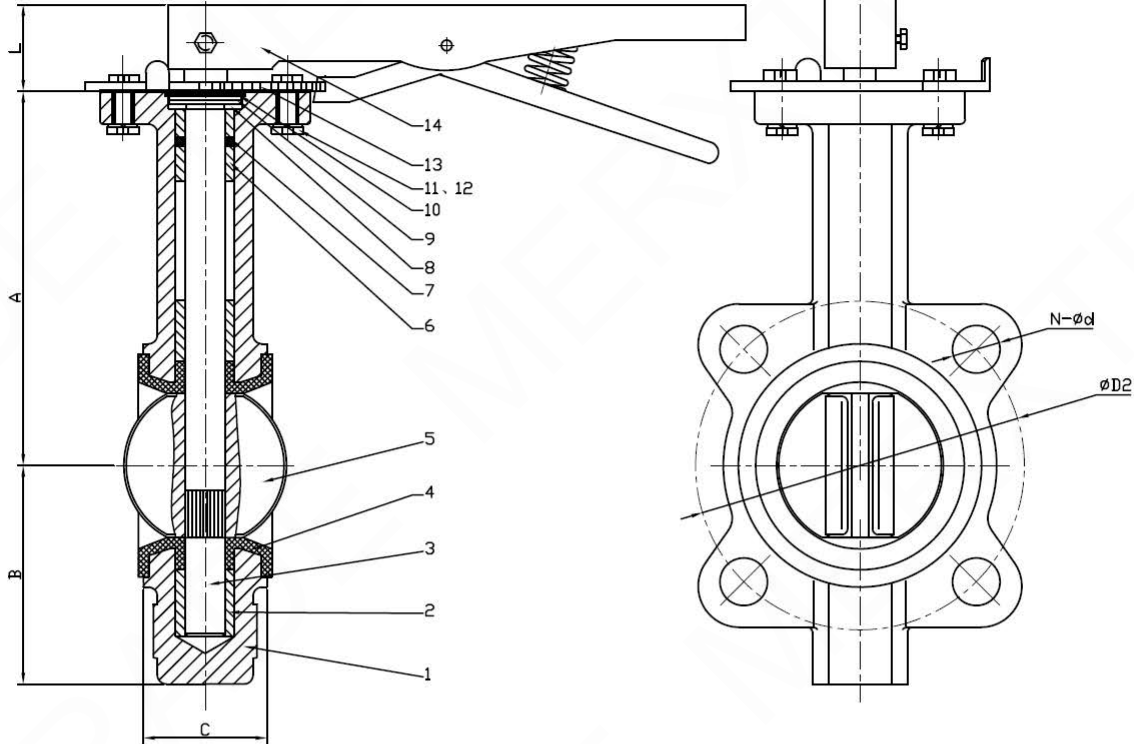


Butterfly wafer.type lever



TECHNICAL DATA			
NOMINAL PREESURE		1.0MPa	1.6MPa
TESTING PREESURE	SEALING	1.1MPa	1.76MPa
	SHELL	1.5MPa	2.4MPa
WORK TEMP.	NBR	-12°C→+82°C	
	EPDM	-10°C→+120°C	
	VITON	-25°C→+180°C	
	PTFE	-10°C→+130°C	

14	1	HANDLE, DUCTILE IRON
13	1	LOCKPLATE, STEEL
12	4	SPRING SPACER,AISI 1566
11	4	BOLTS,STEEL
10	1	RETAINING RING, STEEL
9	2	WASHER, STEEL
8	1	SPLIT RING, STEEL
7	1	*O* RING,ASTM D2000 NBR
6	2	SHORT BUSHING,PTFE
5	1	DISC,C95400,SS316
4	1	SEAT,EPDM/NBR/VITON/PTFE
3	1	SHAFT,SS416
2	2	LONG BUSHING,PTFE
1	1	BDDY,GGG40

SIZE (mm) (inch)	A	B	C	K	L	H	H1	J	JS 5K			JS 10K			ANS B50			BS4504 PN10			BS4504 PN16			
									D2	N	d	D2	N	d	D2	N	d	D2	N	d	D2	N	d	
DN40	1.5"	120	75	33	11	30	90	70	10	95	4	15	105	4	19	98.6	4	19	110	4	18	110	4	18
DN50	2"	124	80	43	11	30	90	70	10	105	4	15	120	4	19	120.6	4	19	125	4	18	125	4	18
DN65	2.5"	134	89	46	11	30	90	70	10	130	4	15	140	4	19	139.7	4	19	145	4	18	145	4	18
DN80	3"	141	95	45.2	11	30	90	70	10	145	4	19	150	8	19	152.4	4	19	160	8	18	160	8	18
DN100	4"	156	1140	52	14	30	90	70	10	165	8	19	175	8	19	190.5	8	19	180	8	18	180	8	18
DN125	5"	168	127	53.7	14	30	90	70	10	200	8	19	210	8	23	215.9	8	22.4	210	8	18	210	8	18
DN150	6"	184	140	56	14	30	90	70	10	230	8	19	240	8	23	241.3	8	22.4	240	8	22	240	8	22
DN200	8"	213	175	60	17	43	125	102	12	280	8	23	290	12	23	298.4	8	22.4	295	8	22	295	12	22
DN250	10"	244	220	68	22	43	125	102	12	345	12	23	355	12	25	361.9	12	25.4	350	12	22	355	12	26
DN300	12"	283	255	78	22	43	125	102	12	390	12	23	400	16	25	431.8	12	25.4	400	12	22	410	12	26